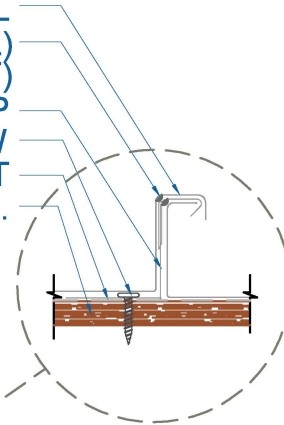


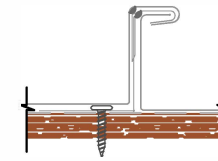
NC 200MS - SOLID SUBSTRATE

DMC 200S PANEL
DREXEL APPROVED SEALANT (OPTIONAL)
(FIELD OR MACHINE APPLIED SEALANT)
DMC 200S BUTTERFLY CLIP
(2) #10 - 13 x 1" PHW
METSHIELD UNDERLAYMENT
1/2" PLYWOOD MIN.

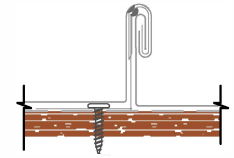
ZOOMED IN VIEW



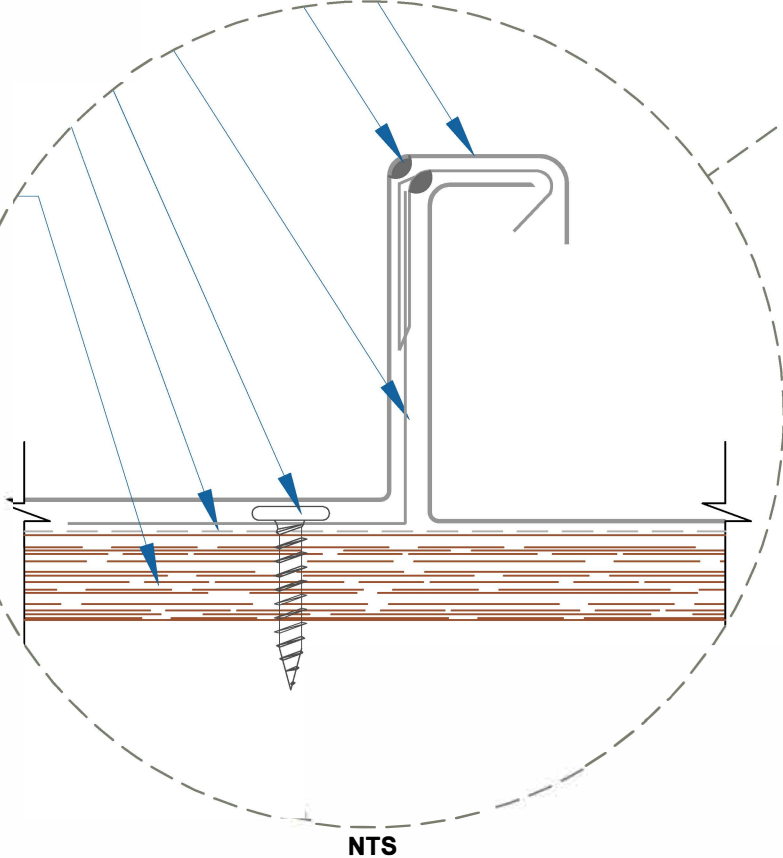
CROSS SECTION
BEFORE SEAMING



CROSS SECTION
90° SEAMING



CROSS SECTION
180° SEAMING



NTS

SEAMER TOOL RENTAL
SEAMER TOOLS, INC.
8265 HIGHWAY 178
OLIVE BRANCH, MS 38654
PH:(662)895-1222
FAX:(662)890-4775
RENT@SEAMERTOOLS.COM

Standard Installation Detail



SUBJECT TO CHANGE WITHOUT NOTICE