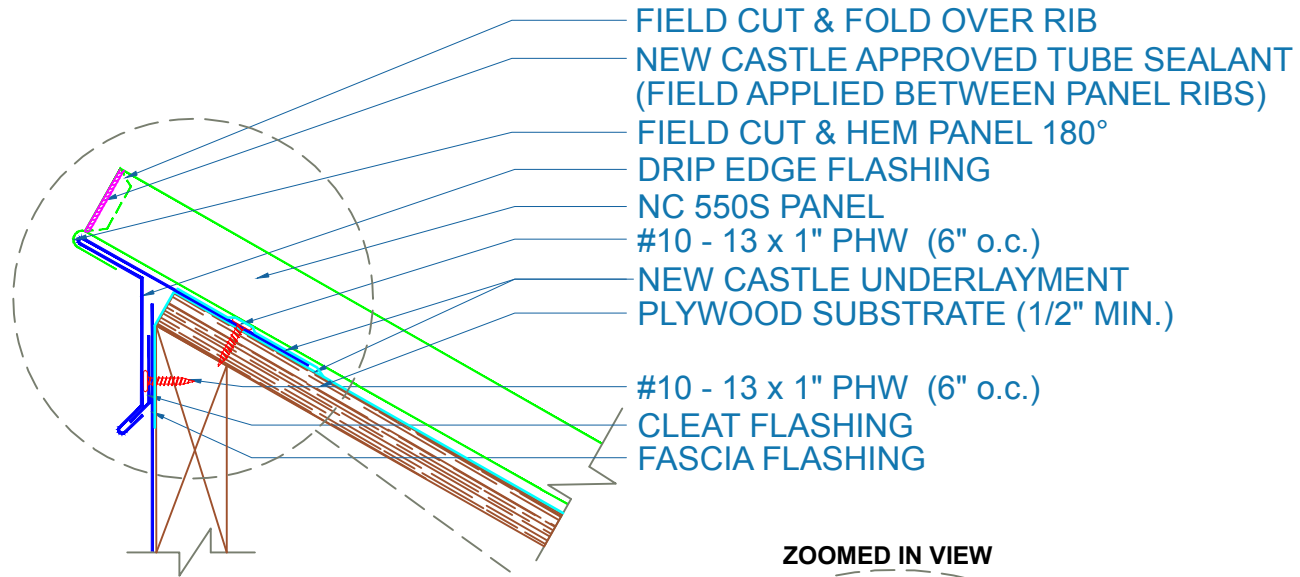
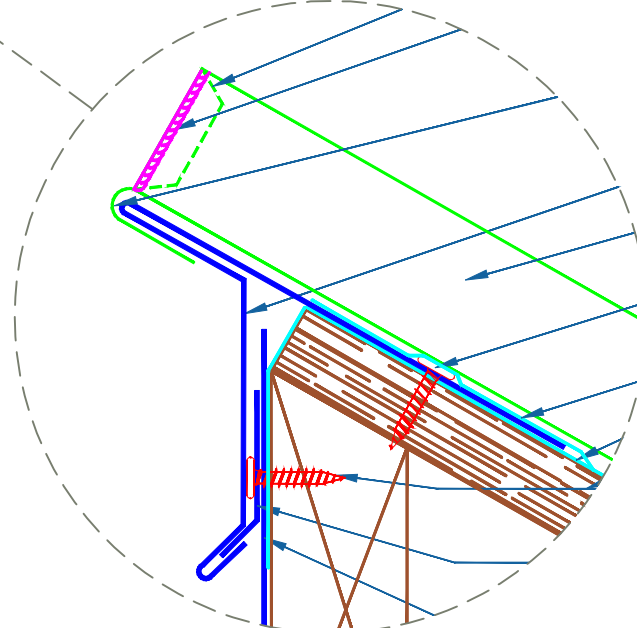


NC 550S - PLYWOOD



- FIELD CUT & FOLD OVER RIB
- NEW CASTLE APPROVED TUBE SEALANT (FIELD APPLIED BETWEEN PANEL RIBS)
- FIELD CUT & HEM PANEL 180°
- DRIP EDGE FLASHING
- NC 550S PANEL
- #10 - 13 x 1" PHW (6" o.c.)
- NEW CASTLE UNDERLAYMENT
- PLYWOOD SUBSTRATE (1/2" MIN.)
- #10 - 13 x 1" PHW (6" o.c.)
- CLEAT FLASHING
- FASCIA FLASHING

ZOOMED IN VIEW



NTS

SUBJECT TO CHANGE WITHOUT NOTICE

PEAK w/DRIP EDGE

SCALE: 3" = 1'-0"

