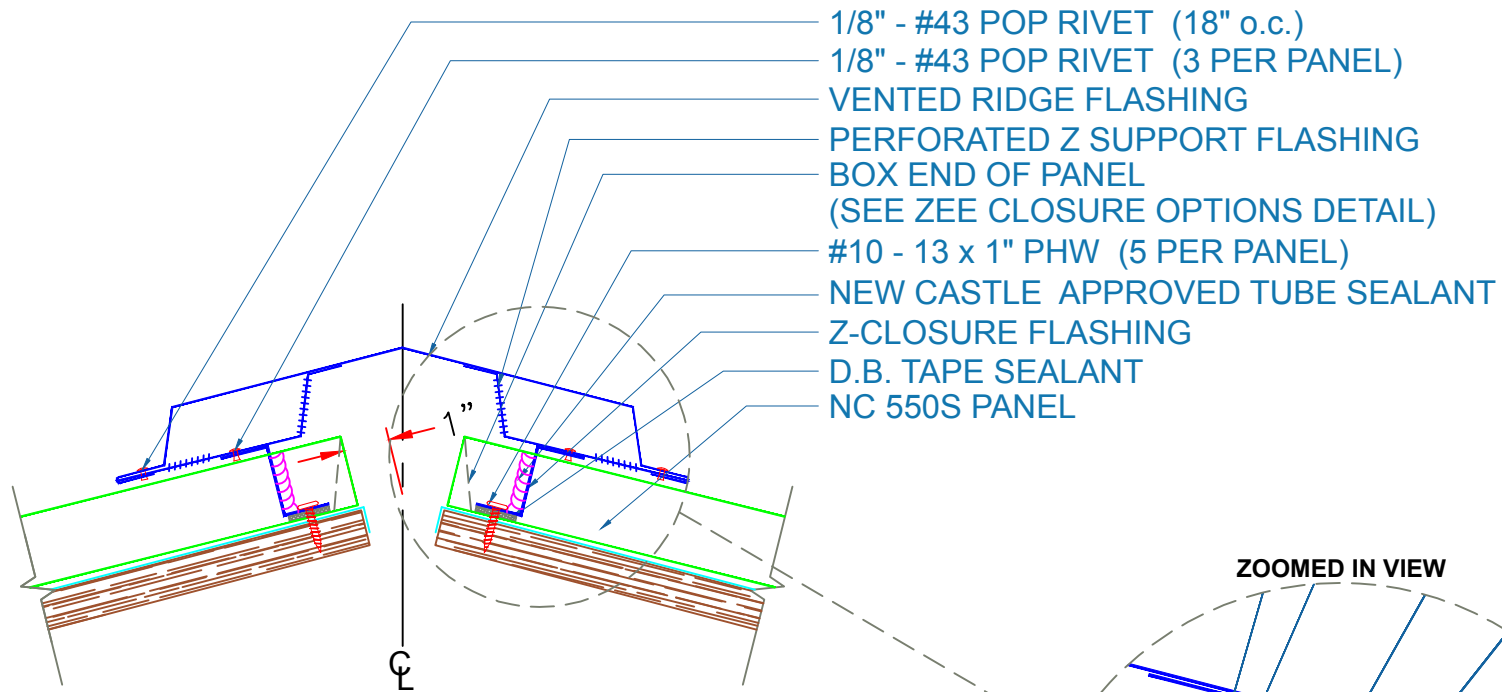
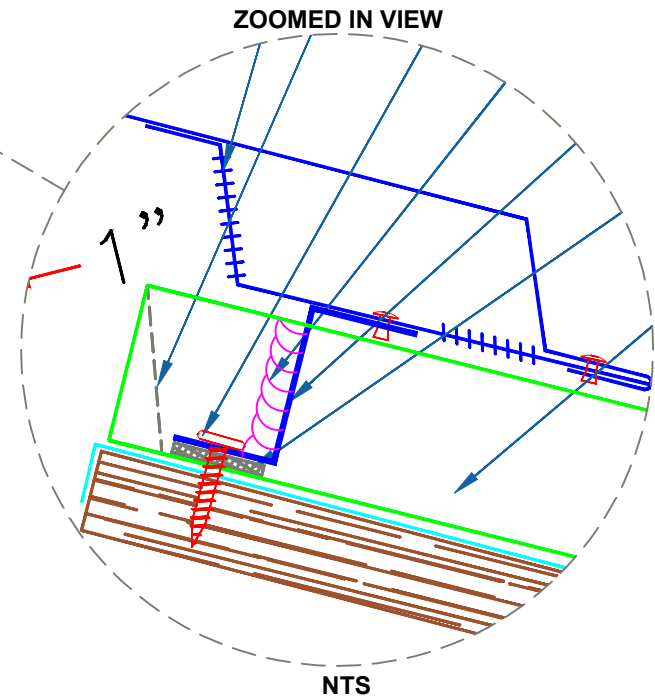
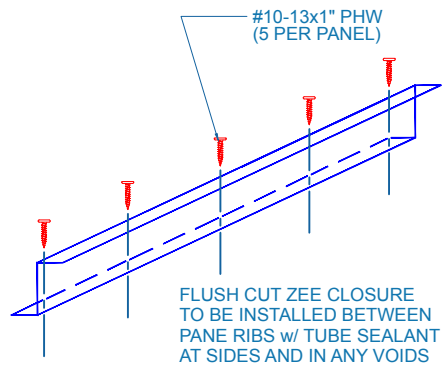


NC 550S - PLYWOOD



- 1/8" - #43 POP RIVET (18" o.c.)
- 1/8" - #43 POP RIVET (3 PER PANEL)
- VENTED RIDGE FLASHING
- PERFORATED Z SUPPORT FLASHING
- BOX END OF PANEL
(SEE ZEE CLOSURE OPTIONS DETAIL)
- #10 - 13 x 1" PHW (5 PER PANEL)
- NEW CASTLE APPROVED TUBE SEALANT
- Z-CLOSURE FLASHING
- D.B. TAPE SEALANT
- NC 550S PANEL

NOTE:
1.) NET FREE AREA = 6.16 SQ IN/FT



VENTED RIDGE / HIP

SCALE: 3" = 1'-0"

SUBJECT TO CHANGE WITHOUT NOTICE

