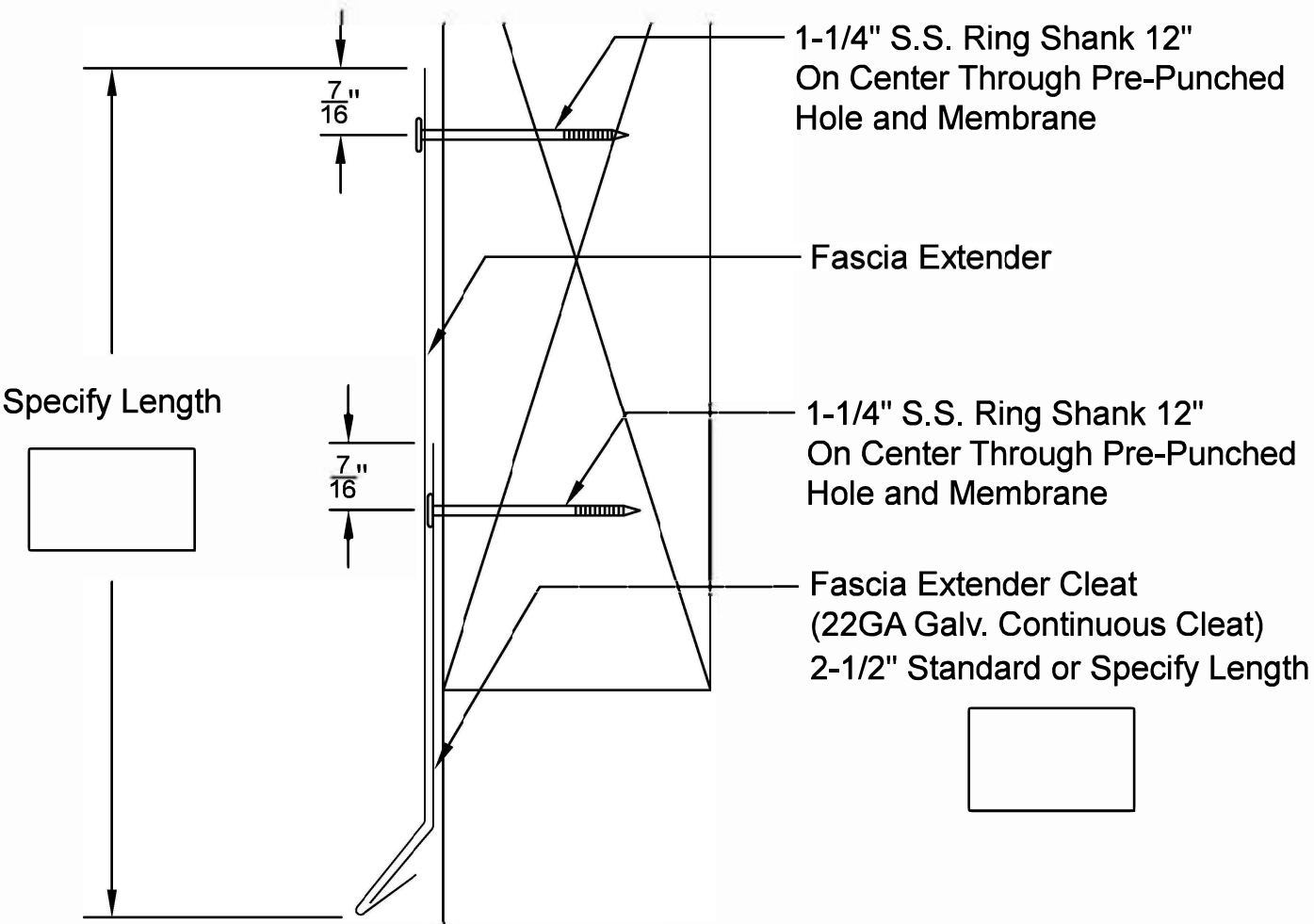


# FASCIA EXTENDER



## PROJECT DETAILS

**JOB NAME:**  
**CUSTOMER:**  
**DATE:**

**MATERIAL:**  
24GA GALVANIZED  
.032 ALUMINUM  
.040 ALUMINUM  
.050 ALUMINUM  
.063 ALUMINUM  
OTHER

**COLOR:**

**FINISH:**  
KYNAR  
MILL FINISH  
S.M.P.  
ANODIZED

**QUANTITY:**  
LINEAR FEET:  
OUTSIDE MITER:  
INSIDE MITER:

**NOTES:**

