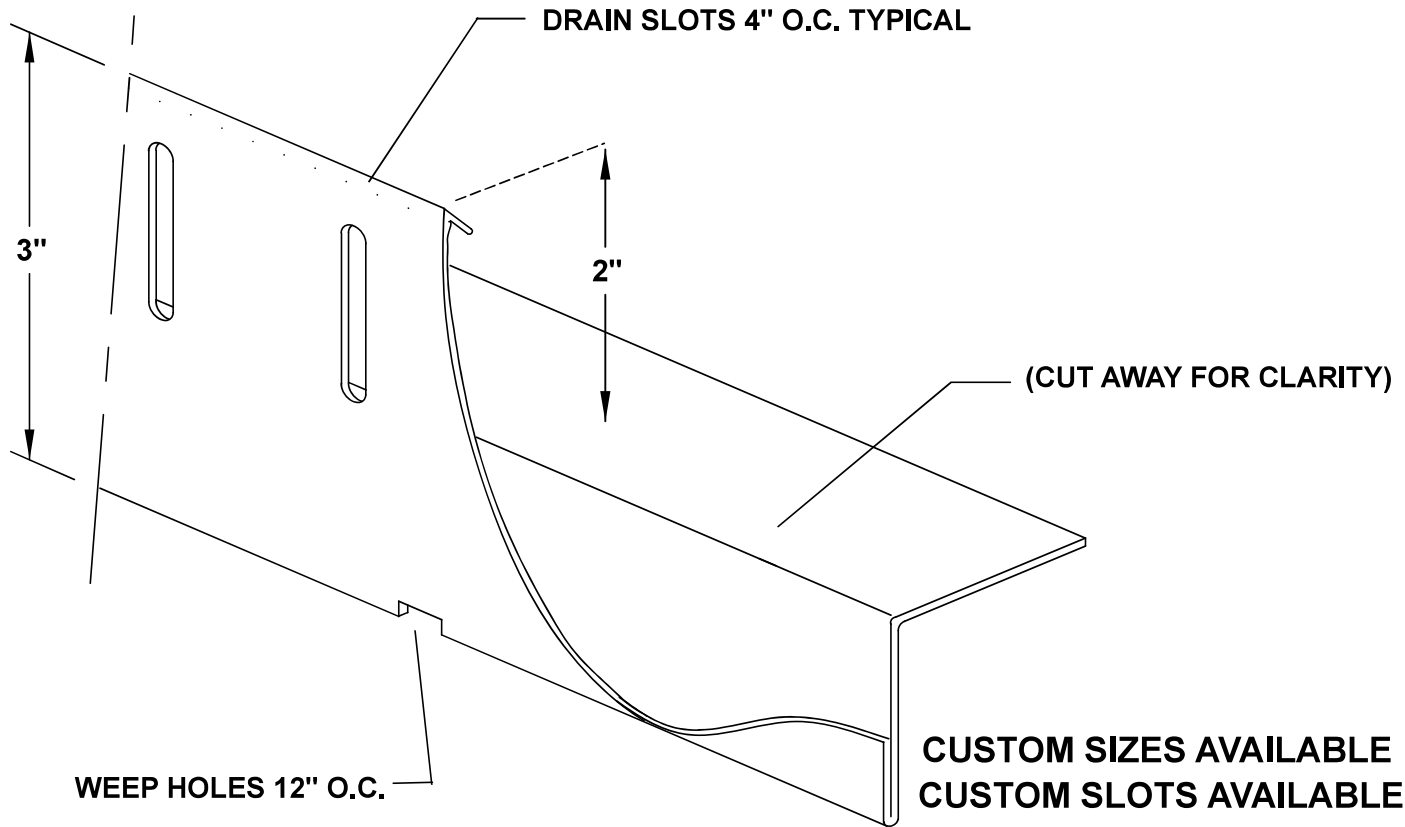


# FLOW THRU GRAVEL STOP



## PROJECT DETAILS

JOB NAME:  
CUSTOMER:  
DATE:

**MATERIAL:**  
24GA GALVANIZED  
.032 ALUMINUM  
.040 ALUMINUM  
.050 ALUMINUM  
.063 ALUMINUM  
OTHER

**COLOR:**

**FINISH:**  
KYNAR  
MILL FINISH  
S.M.P.  
ANODIZED

QUANTITY:  
LINEAR FEET:  
OUTSIDE MITER:  
INSIDE MITER:  
END CAP (LEFT):  
END CAP (RIGHT):

**NOTES:**

