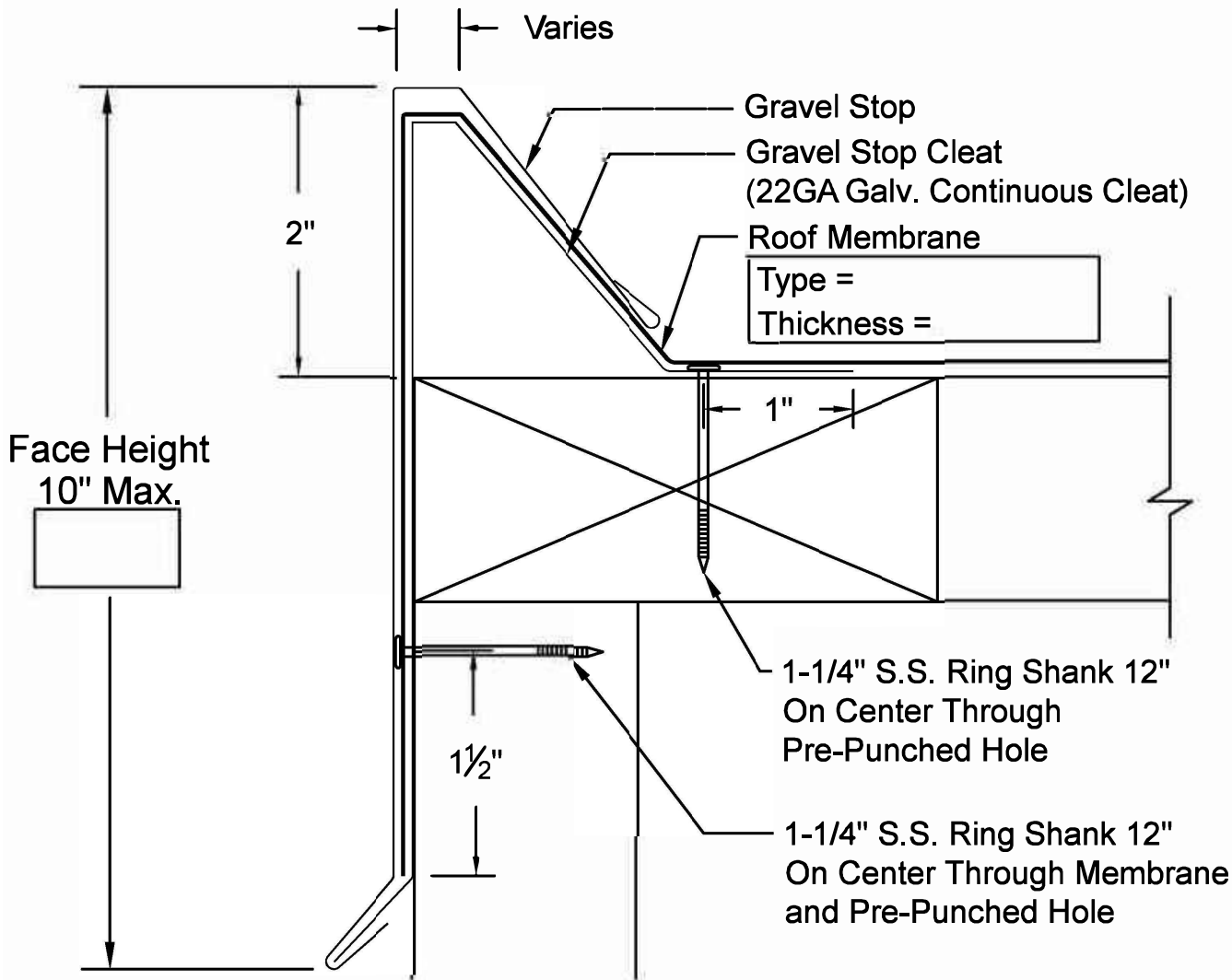


GRAVEL STOP HIGH CANT



PROJECT DETAILS

JOB NAME:
CUSTOMER:
DATE:

MATERIAL:
24GA GALVANIZED
.032 ALUMINUM
.040 ALUMINUM
.050 ALUMINUM
.063 ALUMINUM
OTHER

COLOR:

FINISH:
KYNAR
MILL FINISH
S.M.P.
ANODIZED

QUANTITY:
LINEAR FEET:
OUTSIDE MITER:
INSIDE MITER:
END CAP (LEFT):
END CAP (RIGHT):

NOTES: